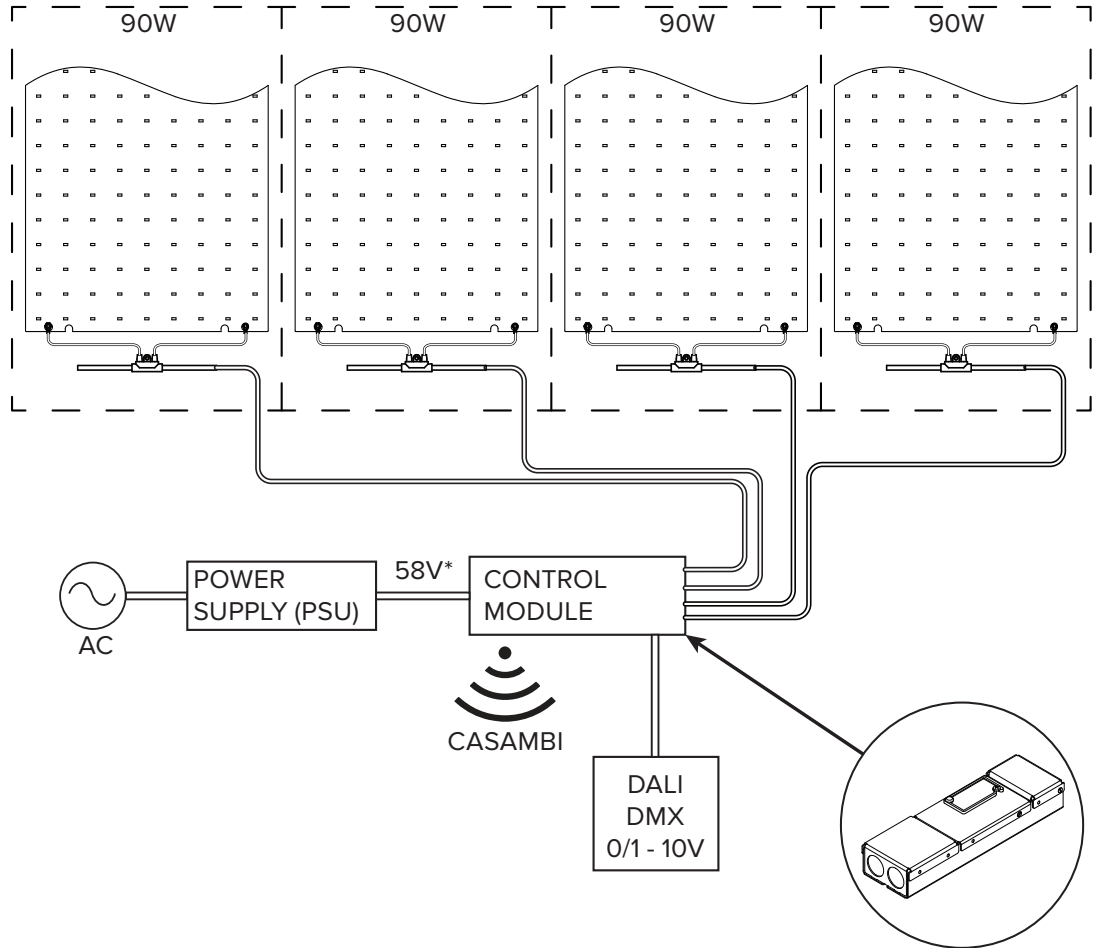


COOLEEDGE™

# COOLEEDGE POWER & CONTROL QUICK START GUIDE - 58V

For detailed instructions, please refer to: EXT-0071 COOLEEDGE CONTROL MODULE USER GUIDE Available at [cooledgelighting.com](http://cooledgelighting.com)



Compatible Part No's:

- CTR-SCT-DAL-58V
- CTR-SCT-CAS-58V
- CTR-SCT-DMX-58V
- CTR-TNW-DAL-58V
- CTR-TNW-CAS-58V
- CTR-TNW-DMX-58V
- CTR-DTW-DAL-58V
- CTR-DTW-CAS-58V
- CTR-DTW-DMX-58V

\* For use with 58VDC power supplies ONLY.

⚠ Control Module is suitable for use in dry locations only (IP20).

⚠ Damage to CONTROL MODULE and/or light sheets may occur if wired incorrectly.

⚠ CONTROL MODULE must be installed by a qualified electrician.

⚠ All devices should always be disconnected from mains power supply and verify its absence prior to installation/maintenance.

### FCC STATEMENT:

This device complies with part 15 of the FCC rules. Operation is subject to the following two conditions:

- (1) This device may not cause harmful interference.
- (2) This device must accept any interference received, including interference that may cause undesired operation.



# RoHS



5 Year Limited Warranty:  
Parts and workmanship

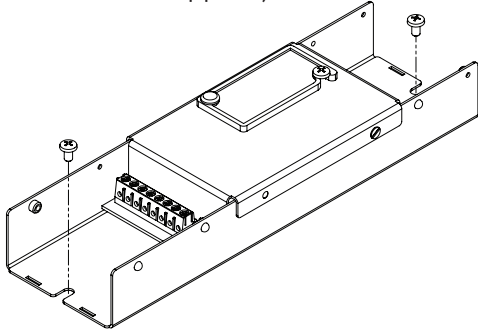
Cooledge Lighting Inc.  
120-13551 Commerce Parkway  
Richmond, BC V6V 2L1 Canada

O +1 604 273 2665  
F +1 604 273 2660  
T +1 844 455 4448  
W [cooledgelighting.com](http://cooledgelighting.com)

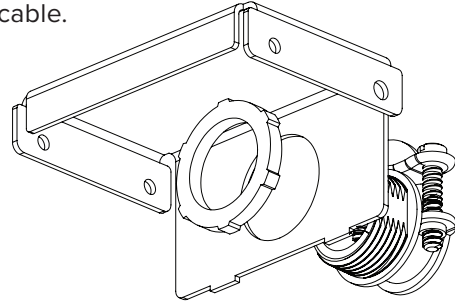
Cooledge Lighting reserves the right to change materials or modify the design of its product without notification as part of the company's continuing product improvement program.

## MOUNTING COOLEdge CONTROL MODULE

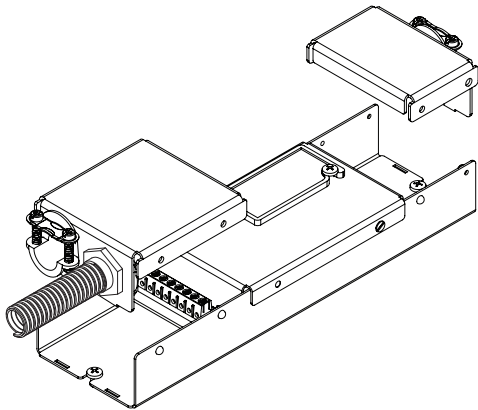
1) Fasten module in position by using the two mounting slots. (Fasteners not supplied)



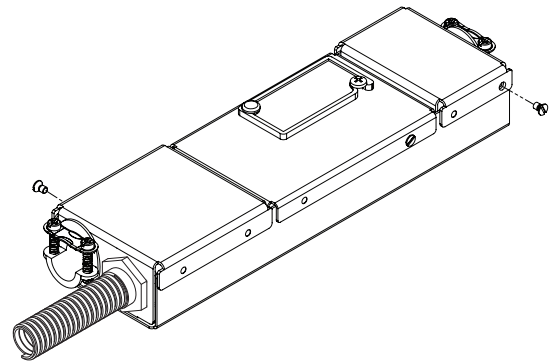
2) Terminal covers support 1/2" strain relief of conduit. Conduit or armoured cable must be used on power input cable.



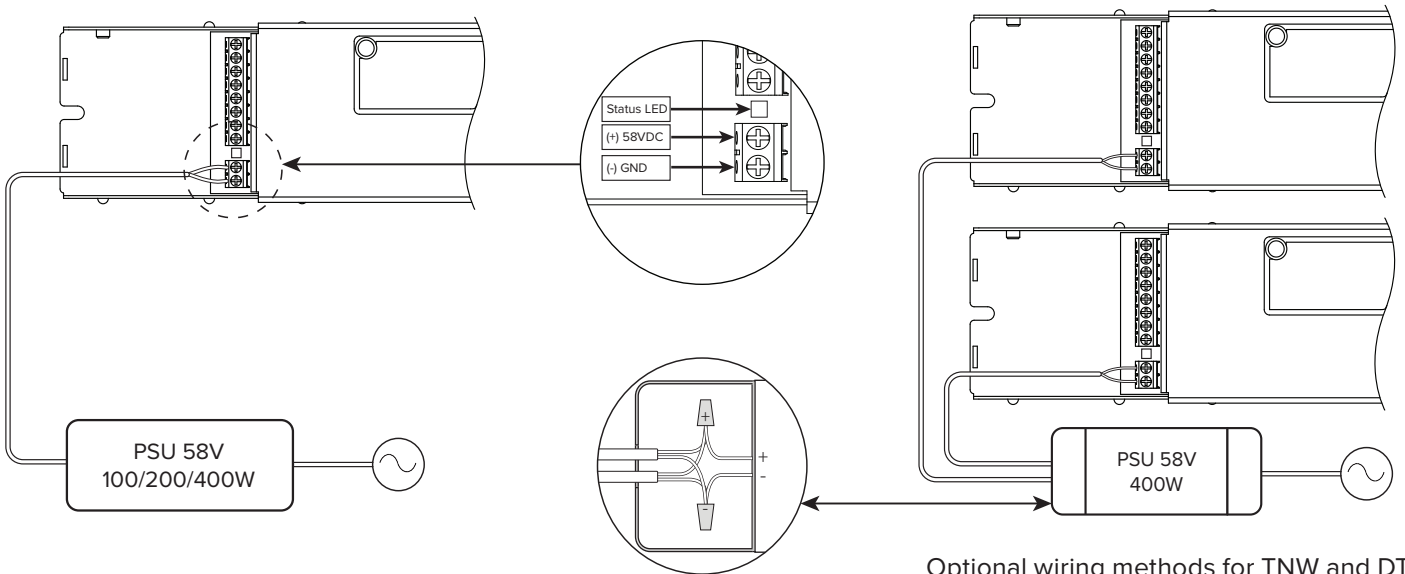
3) Thread cables through conduit/strain reliefs and covers; then make connections as required.



4) Snap covers in position and secure with provided fasteners.



### INPUT POWER - 58VDC: 100W / 200W / 400W - SELV



Optional wiring methods for TNW and DTW installations using the 400W 58V PSU.

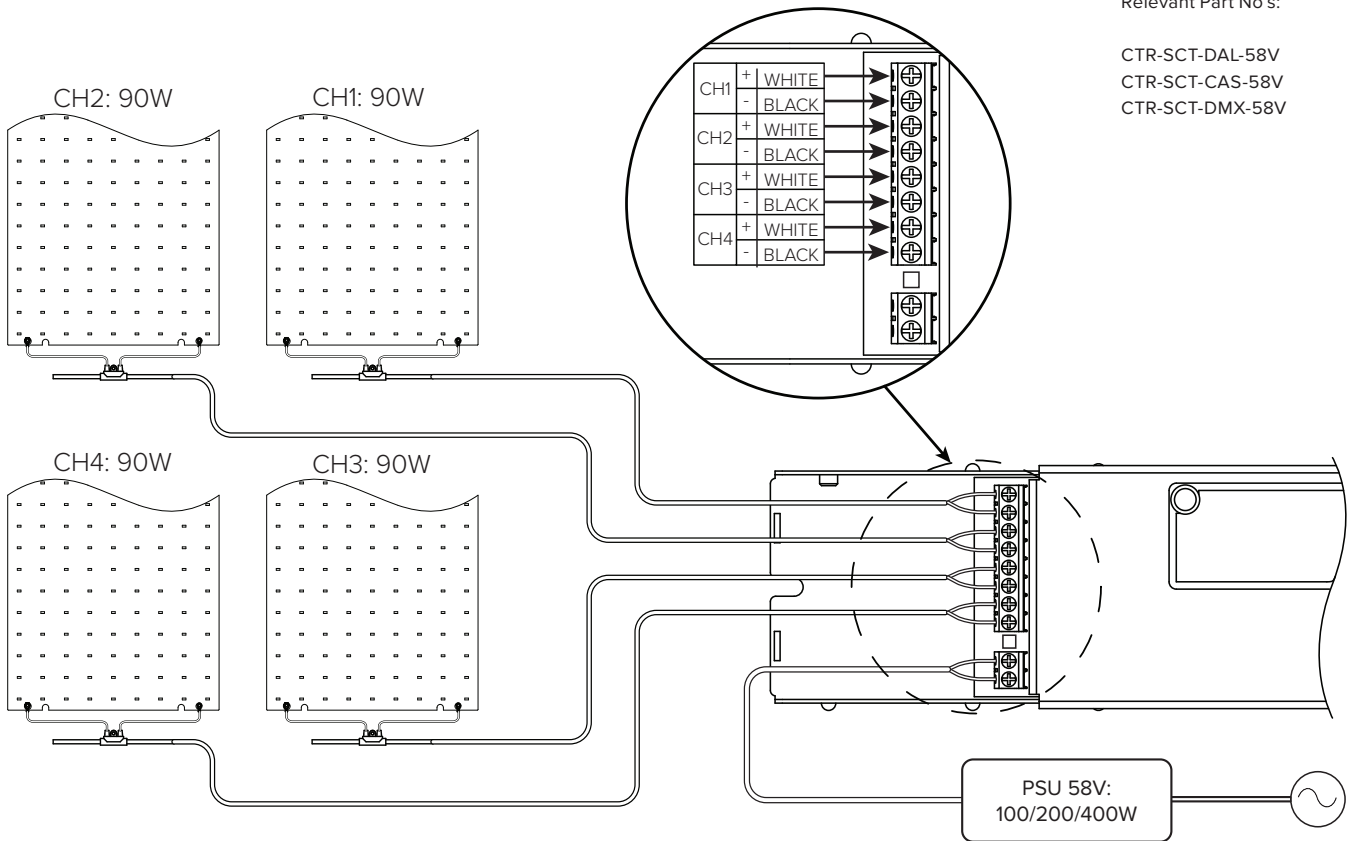
Please refer to EXT-0071 Cooledge Control Module User Guide for more information regarding the status LED indicator.

cUL Listed 58V	Control Module	100W PSU	200W PSU	400 PSU
Dimensions (in)	8.7 x 2.6 x 1.4	11 x 4 x 3	9.6 x 2.8 x 1.5	16.0 x 4.9 x 1.7
CE Compliant 58V	Control Module	100W PSU	200W PSU	400 PSU
Dimensions (mm)	220 x 66 x 36	199 x 63 x 35	244 x 71 x 38	407 x 124 x 43

**OUTPUT CONNECTIONS: STATIC COLOR TEMPERATURE (SCT)**

Relevant Part No's:

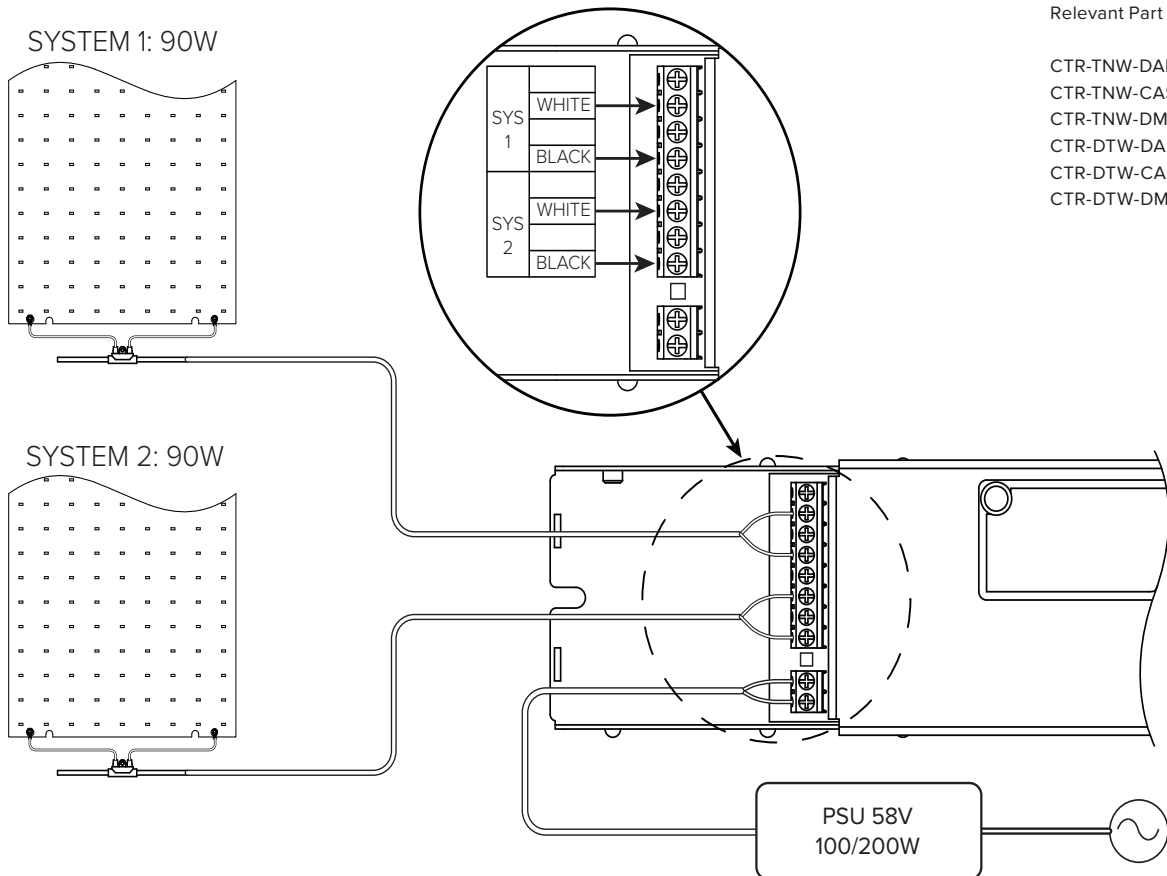
- CTR-SCT-DAL-58V
- CTR-SCT-CAS-58V
- CTR-SCT-DMX-58V



**OUTPUT CONNECTIONS: TUNABLE WHITE (TNW) & DIM-TO-WARM (DTW)**

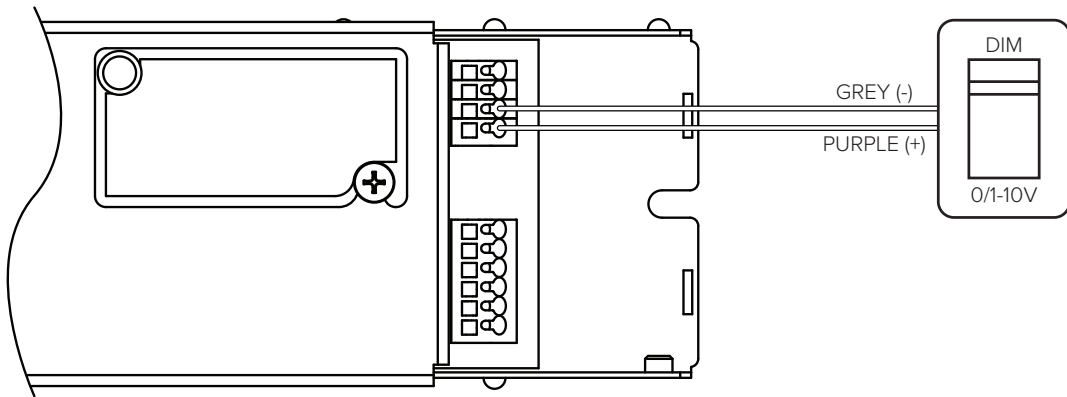
Relevant Part No's:

- CTR-TNW-DAL-58V
- CTR-TNW-CAS-58V
- CTR-TNW-DMX-58V
- CTR-DTW-DAL-58V
- CTR-DTW-CAS-58V
- CTR-DTW-DMX-58V



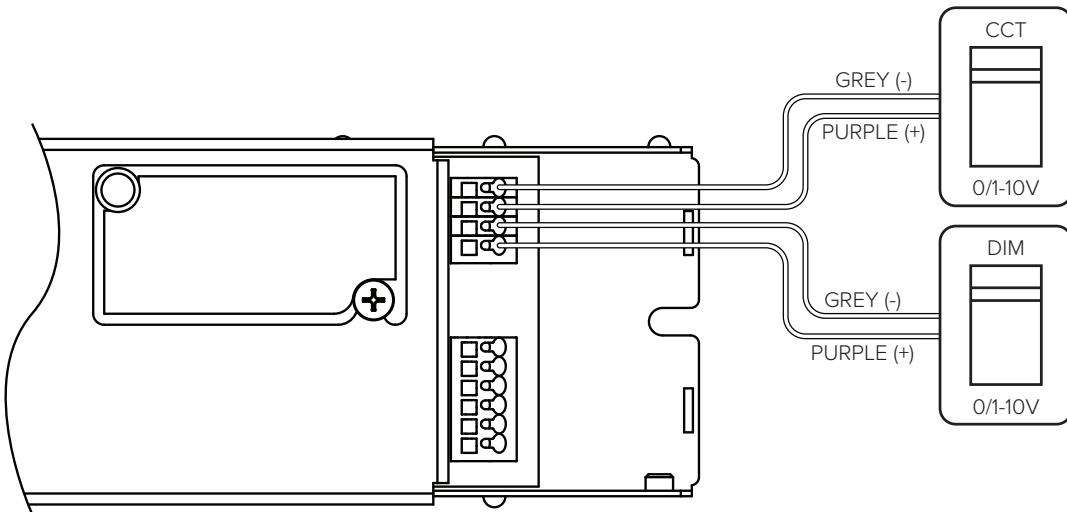
CONTROL INPUTS: 0/1 - 10V SCT / DTW

---

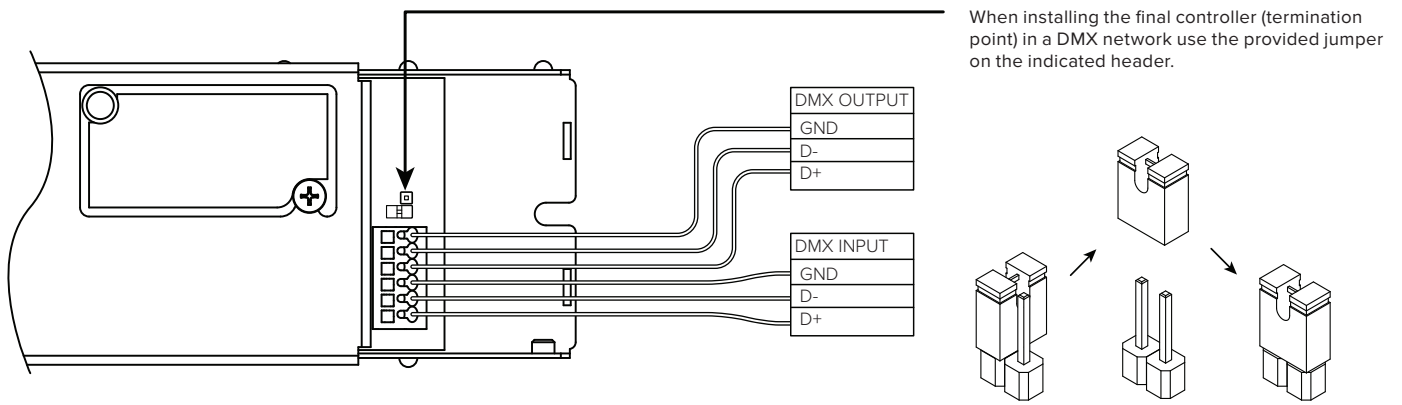


CONTROL INPUTS: 0/1 - 10V TUNABLE WHITE (TNW)

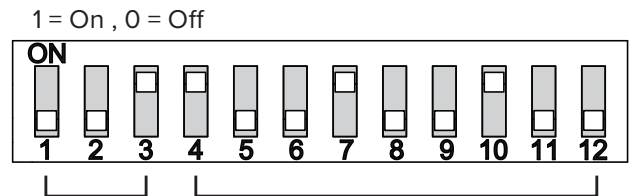
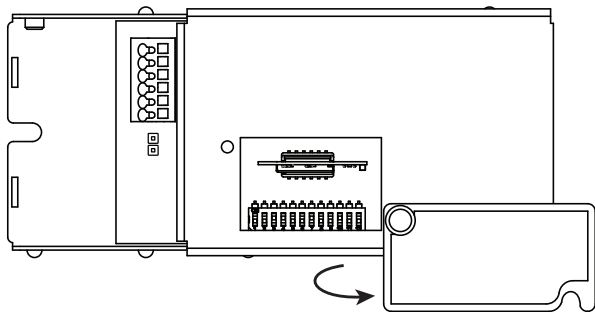
---



## CONTROL INPUTS: DMX



## SELECTING DMX ADDRESSES



- Switches 1 - 3: Factory set, refer to EXT-0071 for details.
- Switches 4 - 12: Addressing switches.

- To access the dip switch for selecting addresses for DMX controls, unfasten the cover screw and rotate cover out of the way.

- Each of the 9 switches (4-12) represents a bit in binary representation for the address. For example, when switch 12 is 'ON' only address 1 is selected, if switch 12 & 11 are 'ON' then address 3 is selected. The address is selected by the sum of the values of each 'ON' switch. Addresses 1 through 511 are possible

Switch:	4	5	6	7	8	9	10	11	12
Address:	256	128	64	32	16	8	4	2	1

## CONTROL INPUTS: DALI

